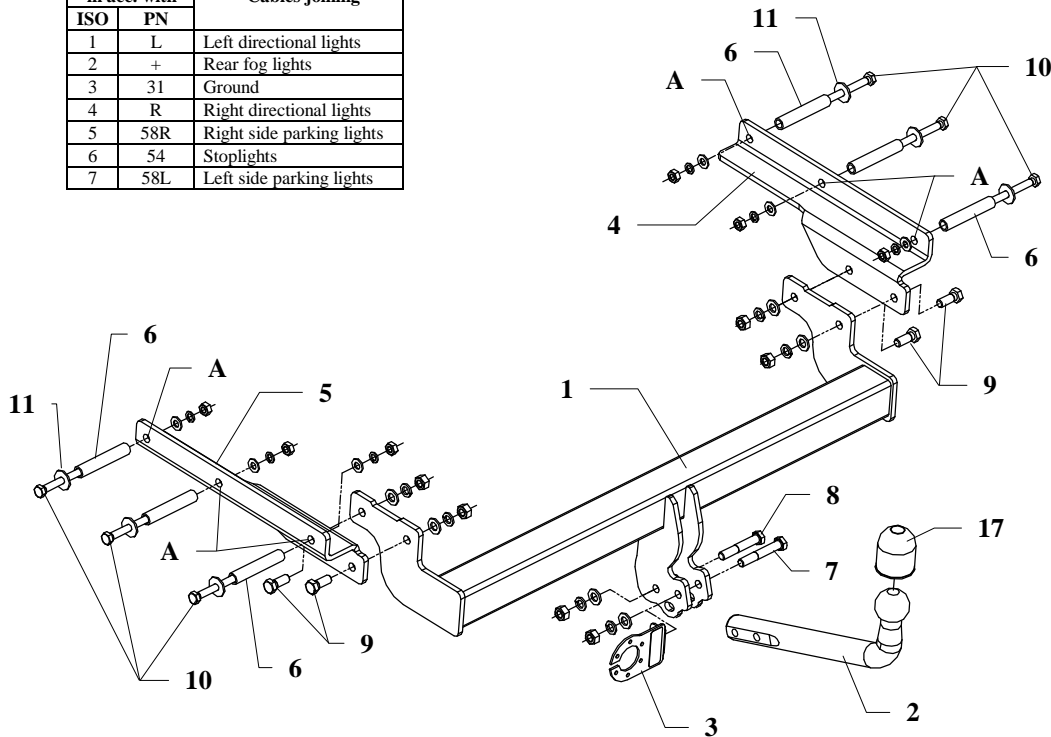


## FITTING INSTRUCTION

Clamp mark in acc. with		Cables joining
ISO	PN	
1	L	Left directional lights
2	+	Rear fog lights
3	31	Ground
4	R	Right directional lights
5	58R	Right side parking lights
6	54	Stoptlights
7	58L	Left side parking lights



This towbar is designed to assembly in following car:  
**FORD MONDEO ESTATE**, produced since 08.1996 till 09.2000,  
 catalogue no. **C20** and is prepared to tow trailers max total weight **1800 kg**  
 and max vertical load **75 kg**.

### *From manufacturer*

Thank you for buying our product. Their reliability has been confirmed in many tests. Reliability of towbar depends also on correct assembly and right operation. For this reasons we kindly ask to read carefully this instruction and apply to hints.

*The towbar should be install in points described by a car producer.*

## The instruction of the assembly

1. On the left and right put distance sleeves L=94mm (pos. 6) to original holes in chassis members.
2. Put side brackets (pos. 4 and 5) and fix it to chassis members through holes (pos. A) and to installed sleeves using bolts M10x130mm (pos. 10) from the towbar accessories.
3. Put main bar of the towbar (pos. 1) and fix it to mounted side brackets (pos. 4 and 5) with M12x30mm bolts (pos. 9) from the towbar accessories.
4. Fix tow-ball (pos. 2) and socket plate (pos. 3) by bolts M12x75mm (pos. 7) and M12x70mm (pos. 8) from accessories
5. Fix tight all bolts according to the torque shown in the table.
6. Connect electric wires of 7-poles socket according to the instruction of the car. (Recommend to make at authorized service station)
7. Complete paint layer damaged during installation.

Torque settings for nuts and bolts (8,8):

<b>M6</b> - 11 Nm	<b>M8</b> - 25 Nm	<b>M10</b> - 50 Nm
<b>M12</b> - 87 Nm	<b>M14</b> - 138 Nm	<b>M16</b> - 210 Nm

### NOTE

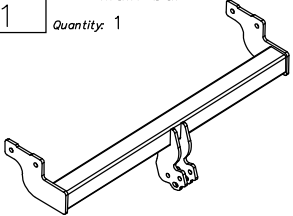
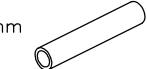
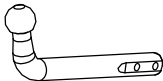
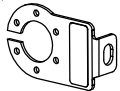

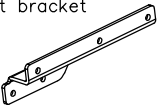
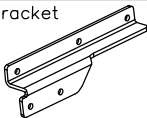
After mounting the towbar you should sign the car card at the Authorised Car Station.

The car should be equipment with:

- Indicators
- Tow mirrors

After 1000 km of exploitation check mounting bolts. The ball of towbar has to be kept in clear and conserve with a grease.

## Towbar accessories:

Pos. 1	Name: Main bar Quantity: 1	Pos. 6	Name: Distance sleeve Quantity: 6 Dim.: Ø17.2x2.35mm L=94mm	Pos. 12	Name: Nut 8 B Quantity: 6 Dim.: M12
		Pos. 7	Name: Bolt 8,8 B Quantity: 1 Dim.: M12x75mm	Pos. 13	Name: Nut 8 B Quantity: 6 Dim.: M10
		Pos. 8	Name: Bolt 8,8 B Quantity: 1 Dim.: M12x70mm	Pos. 14	Name: Plain washer Quantity: 6 Dim.: Ø 13 mm
Pos. 2	Name: Tow ball Quantity: 1	Pos. 9	Name: Bolt 8,8 B Quantity: 4 Dim.: M12x30mm	Pos. 15	Name: Plain washer Quantity: 6 Dim.: Ø 10,5 mm
		Pos. 10	Name: Bolt 8,8 B Quantity: 6 Dim.: M10x130mm	Pos. 16	Name: Spring washer Quantity: 6 Dim.: Ø 12,2 mm
Pos. 3	Name: Socket plate Quantity: 1	Pos. 11	Name: Washer Quantity: 6 Dim.: Ø30xØ10,5x2,5mm	Pos. 17	Name: Spring washer Quantity: 6 Dim.: Ø 10,2 mm
		Pos. 18	Name: Ball cover Quantity: 1		
Pos. 4	Name: Right bracket Quantity: 1				
					
Pos. 5	Name: Left bracket Quantity: 1				
					



**PPUH AUTO-HAK S. J.**

Produkcja Zaczepów Kulowych  
Henryk & Zbigniew Nejman  
76-200 SŁUPSK ul. Słoneczna 16K  
tel/fax (059) 8-414-414; 8-414-413  
E-mail: [office@autohak.com.pl](mailto:office@autohak.com.pl)  
[www.autohak.com.pl](http://www.autohak.com.pl)

## Towing hitch (without electrical set)

Class: **A50-X** Cat. no. **C20**

Designed for:

Manufacturer: **FORD**

Model: **MONDEO**

Type: **ESTATE**

produced since 08.1996 till 09.2000

Technical data:

**D-value: 9,18 kN**

maximum trailer weight: **1800 kg**

maximum vertical cup load: **75 kg**

Approval number acc. to regulations EKG/ONZ 55.01: **E20-55R-01 0824**

## Foreword

This towbar is designed according to rules of safety traffic regulations. The towing hitch is a safety component and must be installed only by qualified personnel. Any alteration or conversion to the towing hitch is prohibited and would lead to cancellation of design certification. Remove insulating compound and underseal from vehicle (if present) in the area of the matting surfaces of the towing hitch. The vehicle manufacturer's specifications regarding trailer load and max. vertical cup load are decisive for driving, and values for the towing hitch cannot be exceeded.

*D-value formula:*

$$\frac{\text{Max trailer weight [kg]} \times \text{Max vehicle weight [kg]}}{\text{Max trailer weight [kg]} + \text{Max vehicle weight [kg]}} \times \frac{9,81}{1000} = D \text{ [kN]}$$